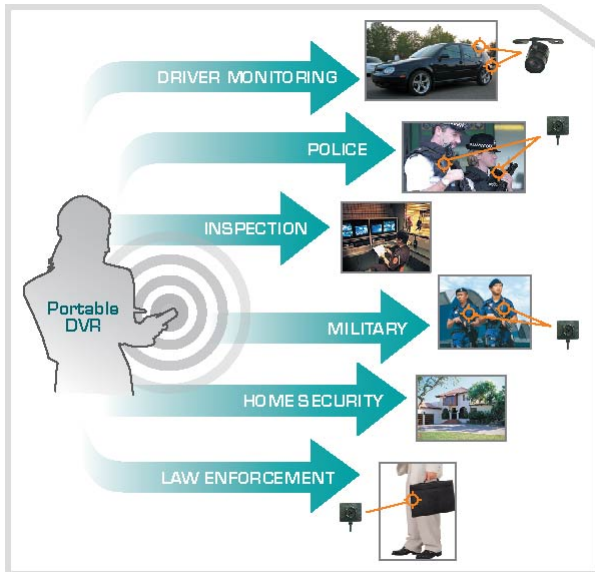


PORTABLE DVR

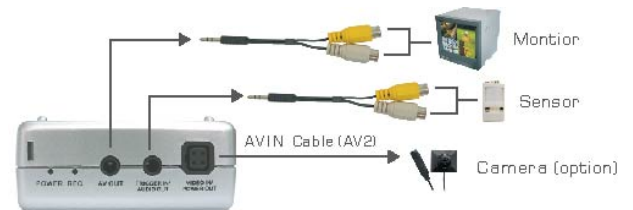


FEATURES

- ▶ Built in 2" A grade LCD panel
- ▶ MPEG4 near DVD quality
- ▶ Small size, Lightweight
- ▶ User friendly setting & operation
- ▶ IR Remote Control
- ▶ Control / Date Time Setting (OSD Menu)
- ▶ JPEG format 320 x 240 (without image loss)
- ▶ Maximum Recording Time: 2.5 ~ 3hrs. (±10%)
- ▶ Built-in 1000mA rechargeable Li-Ion battery
- ▶ Data Storage by SD card of any size
- ▶ Display the information of SD capacity
- ▶ Support cameras of ANY brands
- ▶ High Playback Resolution up to 320 x 240 (30fps/sec. Real Time)

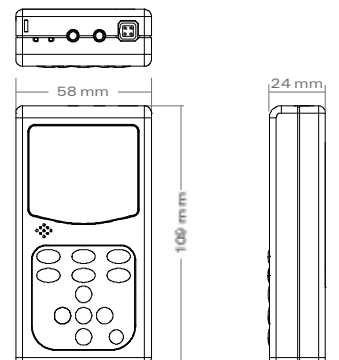


SYSTEM CONFIGURATION



SPECIFICATIONS

Model Number		NT-P130-12
Capacity		External SD Card
Record Resolution		Record 320x 240 MPEG4 ,Snapshot 320 x 240 JPEG
Video Playback		MPEG-4, Encode and Decode (near DVD quality) Resolution up to 320 x 240 @30fps/sec. Real Time (ASF file format)
Photo View		JPEG format 320 x 240 (Digital Zoom, NO image Resolution Loss)
Video	Input	Composite AV input x 1 (Phone Jack 3.5mm)
	Output	Composite AV output x 1 (Phone Jack 3.5mm)
Audio	Sampling Rate	8K
	Compression	PCM
Recording Mode		Manual / Motion Detection
Data Search		Manual
Display		2.0" TFT LCD
System Format		NTSC / PAL System (option)
Status indicator		LED x 2 (Power = Green , Record = Red)
Power Sources	Internal	Rechargeable Li-Ion Batteries. (3.7V, 1900mAH above)
	External	AC input :AC charger/adapter (5V/2A), CCD output:12V,150mA
Power Consumption		Typical 500mAH (±5%)
Dimension (mm)		58(W) x 24(D) x 109(H)
Net Weight		200g
Operation Temperature		-10°C ~ 55°C
IR Remote		30 degree / 10 meters (38KHz carrier / 3.3V)



PORTABLE DVR

Wired Mini Color Button Camera (option)

Model Number	Mini-01
Scanning System	4 : 1 Interlace
Scanning Frequency	NTSC : 59.94Hz, PAL : 50.00Hz
Effective Pixel	NTSC : 512(H) x 492(V), PAL : 512 (H) x 582 (V)
Electronic Shutter	1/50(60)~1/100,000sec
Image Device	SONY CCD
Horizontal Resolution	420 TV Line
Sensitivity	0.1Lux
S/N Ratio	More than 48dB
Gain Control	Auto
White Balance	Auto
Gamma Correction	0.45
SYNC System	Internal
Lens	3.7mm Button Lens
Video Output	1Vp-p, 75 Ohm
Audio Output	2Vp-p, 50 Ohm
Power Consumption (±10%)	DC 12V / 100mA
Operation Temp.	Working: -10~+50°C, Storage: -30~+60°C
Weight	10g



Snake Camera (option)

Model Number	Mini-02
Scanning System	4 : 1 Interlace
Scanning Frequency	NTSC : 59.94Hz, PAL : 50.00Hz
Effective Pixel	NTSC : 512 (H) x 492(V), PAL : 512 (H)x 582 (V)
Electronic Shutter	1/50(60) ~ 1/100,000sec
Image Device	SONY CCD
Horizontal Resolution	420 TV Line
Sensitivity	0.1Lux
S/N Ratio	More than 48dB
Gain Control	Auto
White Balance	Auto
Gamma Correction	0.45
SYNC System	Internal
Lens	Pinhole 3.7mm Lens
Video Output	1Vp-p, 75 Ohm
Audio Output	2Vp-p, 50 Ohm
Power Consumption (±10%)	DC 12V / 120mA
Operation Temp.	Working: -10~+50°C, Storage: -30~+60°C
Weight	100g



Fiber Optic Endoscope Camera (option)

Model Number	Mini-03
Scanning System	4 : 1 Interlace
Scanning Frequency	NTSC : 59.94Hz, PAL : 50.00Hz
Effective Pixel	NTSC : 512 (H) x 492(V), PAL : 512 (H) x 582 (V)
Electronic Shutter	1/50(60) ~ 1/100,000sec
Image Device	SONY CCD
Horizontal Resolution	420 TV Line
Sensitivity	0.1Lux
S/N Ratio	More than 48dB
Gain Control	Auto
White Balance	Auto
Gamma Correction	0.45
SYNC System	Internal
Lens	Pinhole 3.7mm Lens
Video Output	1Vp-p, 75 Ohm
Audio Output	2Vp-p, 50 Ohm
Power Consumption (±10%)	DC 12V / 100mA
Operation Temp.	Working: -10~+50°C, Storage: -30~+60°C
Weight	100g

