

# Hidden Camera

## Smoke Detector Camera



XO611  
XO621



### FEATURES

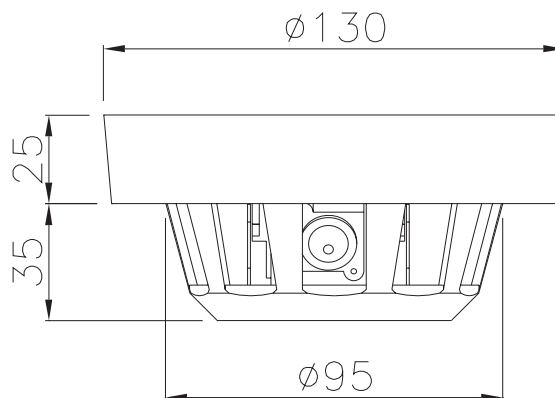
- > Color camera with SHARP 1/3" CCD sensor in smoke detector hidden case.
- > Employs Digital Signal Processor (DSP) chip-set for image control.
- > Pixel number: NTSC=270K / PAL=320K (Normal Resolution).  
NTSC=380K / PAL= 440K (High Resolution).
- > High sensitivity, low smear, high anti-blooming and high S/N ratio.
- > Build-in functions: Auto Electronic Shutter (AES), Auto Gain Control (AGC), Auto White Balance (AWB).
- > Furnished with DC power cable and video cable.
- > Built-in anti-aliasing and IR-cut optical filter.

### SPECIFICATIONS

Model	XO611	XO621
Image Pick-up Device	SHARP 1/3" CCD Normal Resolution	SHARP 1/3" CCD High Resolution
Effective Picture Elements	NTSC: 510*492, PAL: 500*582 (H*V)	NTSC: 768*494, PAL: 752*582 (H*V)
Horizontal Resolution	380 TV lines	470 TV lines
Minimum Illumination	0.1 LUX @ F2.0	0.2 LUX @ F2.0
S/N Ratio	More than 48 dB	
Auto Electronic Shutter	NTSC: 1/60s~1/100,000s, PAL: 1/50s~1/110,000s	
Gamma Characteristic	0.45	
Lens Furnished	Pinhole lens 3.7mm / F2.0	
Gain Control	Automatically	
White Balance	Automatically (2500K~9500K)	
Synchronous System	Negative sync. Internal	
Video Output	1 Vp-p Composite Video / 75 Ohms	
Power Supply	DC 12V / 100 mA	
Operating Temp.	-10°C to 50°C (14°F to 122°F)	
Dimensions	130 mm (Φ) X 58 mm (H)	
Audio Output (Option)	2 Vp-p / 50 Ohms. RCA connector	

Design and specifications are subject to change without notice.

### DIMENSIONS



*Keeping the things that matter in focus.*